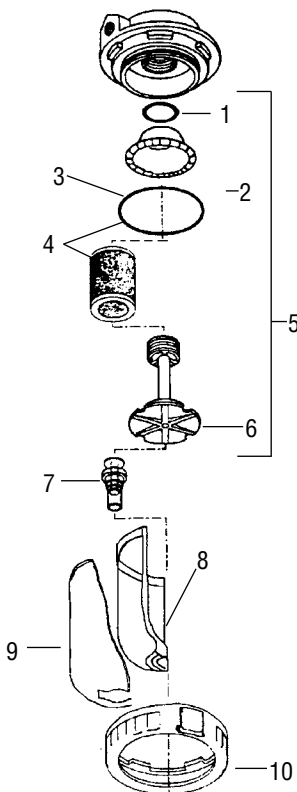


Refer to Service Bulletins: SB-6-140, SB-6-147, SB-6-152

Customer Service
1-800-445-3988

Clean Air™ Air Line Filter, Coalescing Filter & Control Unit

130041 (13-0041) 100 CFM Air Line Filter



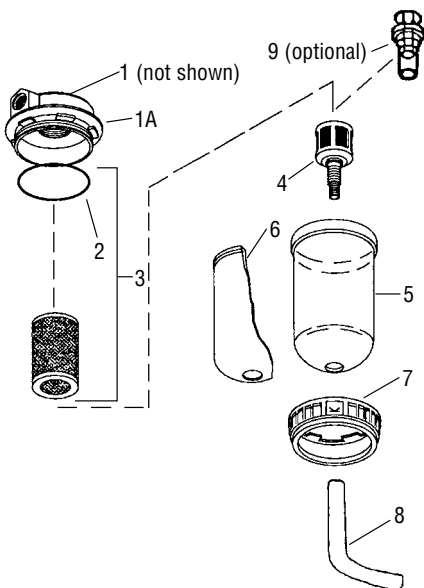
130041 (13-0041)

Ref. No.	Order No.	Model No.	Description	Ind. Parts Req.
*1	—	—	Gasket	1
*2	—	—	Baffle	1
*3	—	—	Bowl O-Ring	1
4	190727	HAF-6	Filter Kit	1
5	190856	HAF-26	Baffle Kit	1
*6	—	—	Element Retainer	1
7	190766	HAF-11	Manual Flexible Drain	1
8	190763	HAF-8	Transparent Plastic Bowl	1
9	191417	HAF-19	Bowl Guard	1
10	190869	HAF-409	Clamp Ring Assembly	1

OPTIONAL ACCESSORIES

Order No.	Model No.	Description
190564	GA-288	Gauge, 160# – 2" Diameter
190771	HAF-18	Automatic Drain allows maintenance-free drainage
240039	VA-542	Ball Valve
190851	HAF-407	Bracket Assembly for 13-0041 and 13-0042

130027 (HAF-505) 55 CFM Coalescing Filter



130027 (HAF-505)

Ref. No.	Order No.	Model No.	Description	Ind. Parts Req.
1	190883	HAF-404	Filter Change Indicator (Not shown)	1
1A	—	—	Cover	1
2	—	—	O-Ring	1
3	190845	HAF-28	Filter & O-Ring Kit	1
4	190771	HAF-18	Automatic Drain (Standard)	1
5	190763	HAF-8	Plastic Bowl	1
6	191417	HAF-19	Metal Bowl Guard	1
7	190869	HAF-409	Clamp Ring	1
8	—	—	1/2 x 3/8 Vinyl Tubing – 6 ft.	1
9	190766	HAF-11	Manual Drain (Optional)	1

+NOTE:
Regulator Repair Kit
191554 (KK-4977)
Consists of:

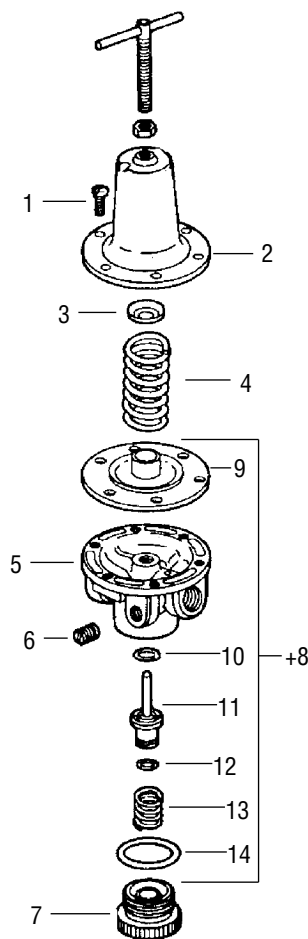
Ref No.	Description	Qty.
9	Diaphragm Assy.	1
10	O-Ring	1
11	Valve	1
12	O-Ring	1
13	Spring	1
14	O-Ring	1

NOTE

The regulator on CleanAir Units manufactured prior to 9/97 was 13-0045 (HAR-506).

HAR-600 includes HAR-507 Regulator, GA-288 Gauge, and VA-542 Ball Valve.

130059 (HAR-507) 60 CFM Air Regulator



130059 (HAR-507)

Ref. No.	Order No.	Model No.	Description	Ind. Parts Req.
1	—	—	#10-32x9/16 Fillister Hd. Screw	6
2	191429	HAR-14	Cover	1
3	—	—	Spring Button	1
4	—	—	Diaphragm Spring	1
5	—	—	Body	1
6	—	—	Pipe Plug 1/4" NPT(M)	1
7	—	—	Bottom Plug	1
+8	191554	KK-4977	Repair Kit (See breakdown)	1